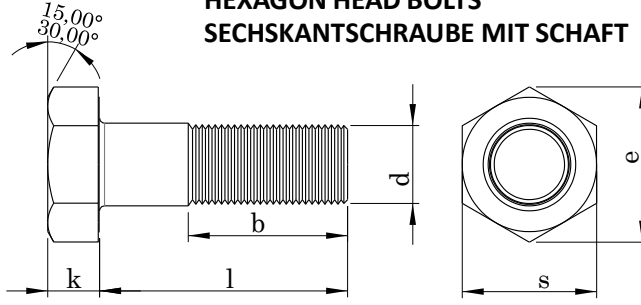


DIN 931 ISO 4014

ALTIKÖŞE BAŞLI YARIM DİŞ CIVATA CL:8.8 - 10.9 - 12.9

HEXAGON HEAD BOLTS

SECHSKANTSCHRAUBE MIT SCHAFT



Technical Informations / Teknik Bilgiler

Thread size / Anma çapı (d)		M3	M4	M5	M6	M7	M8	M10	M12	
Pitch / Diş adımı	P	0,50	0,70	0,80	1,00	1,00	1,25	1,50	1,75	
	Norminal size	2,00	2,80	3,50	4,00	4,80	5,30	6,40	7,50	
Head height / Kafa yüksekliği k	A	min.	1,88	2,68	3,35	3,85	4,65	5,15	6,22	7,32
		max.	2,12	2,92	3,65	4,15	4,95	5,45	6,58	7,68
	R	min.								
		max.								
Head width / Anahtar ağız	Product Grade	min.	5,50	7,00	8,00	10,00	11,00	13,00	17,00	19,00
		max.	5,32	6,78	7,78	9,78	10,73	12,73	16,73	18,67
Diagonal / Köşegen e	Product	min.	6,01	7,66	8,79	11,05	12,12	14,38	18,90	21,10
		max.								
Thread length / Diş uzunluğu	Grade	min.								
		B								
		b ¹	12,00	14,00	16,00	18,00	20,00	22,00	25,00	30,00
		b ²			22,00	24,00	26,00	28,00	32,00	36,00
	b ³						45,00	49,00		

Thread size / Anma çapı (d)	Product Grade A		Product Grade B		M3	M4	M5	M6	M7	M8	M10	M12
	min.	max.	min.	max.	Weight / Ağırlık gr/p							
12	11,65	12,35										
14	13,65	14,35										
16	15,65	16,35										
18	17,65	18,35										
20	19,58	20,42			1,29							
22	21,58	22,42			1,43							
25	24,58	25,42			1,57	3,12	4,86					
28	27,58	28,42			1,74	3,41	5,25					
30	29,58	30,42			1,85	3,61	5,64	8,06	12,10			
35	34,50	35,50				4,04	6,42	9,13	13,60	18,20	44,60	42,13
40	39,50	40,50				4,53	7,20	10,20	15,10	20,30	35,00	49,10

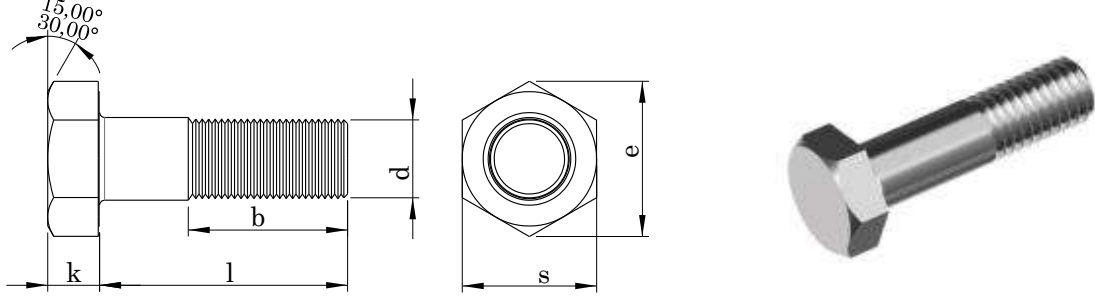
Values are given in millimeters. / Değerler milimetre olarak verilmiştir.

DIN 931 ISO 4014

ALTIKÖŞE BAŞLI YARIM DİŞ CIVATA CL:8.8 - 10.9 - 12.9

HEXAGON HEAD BOLTS

SECHSKANTSCHRAUBE MIT SCHAFT



Technical Informations / Teknik Bilgiler

Thread size / Anma çapı (d)	Product Grade		M3	M4	M5	M6	M7	M8	M10	M12
	A	B								
Length / Boy	min.	max.	Weight / Ağırlık gr/p							
45	44,50	45,50			7,98	11,30	16,60	22,20	38,00	53,60
50	49,50	50,50			8,76	12,30	18,10	24,20	41,10	58,10
55	54,40	55,60				13,40	19,50	25,80	43,80	62,60
60	59,40	60,60				14,40	21,00	27,80	46,90	67,00
65	64,40	65,60					22,50	29,80	50,00	70,30
70	69,40	70,60					24,00	31,80	53,10	74,70
75	74,40	75,60						33,70	56,20	79,10
80	79,40	80,60						35,70	59,30	83,60
85	84,30	85,70						37,70	62,40	88,10
90	89,30	90,70						39,50	65,50	92,40
95	94,30	95,70						41,40	68,60	96,80
100	99,30	100,70						43,30	71,70	101,00
110	109,30	110,70								109,00
120	119,30	120,70								118,00
130	129,20	130,80								
140	139,20	140,80								
150	149,20	150,80								
160	159,20	160,80	158,00	162,00						
170	169,20	170,80	168,00	172,00						
180	179,20	180,80	178,00	182,00						
190	189,10	190,90	187,70	192,30						
200	199,10	200,90	197,70	202,30						
220	-	-	217,70	222,30						
240	-	-	237,70	242,30						
260	-	-	257,40	262,60						
280	-	-	277,40	282,60						
300	-	-	297,40	302,60						

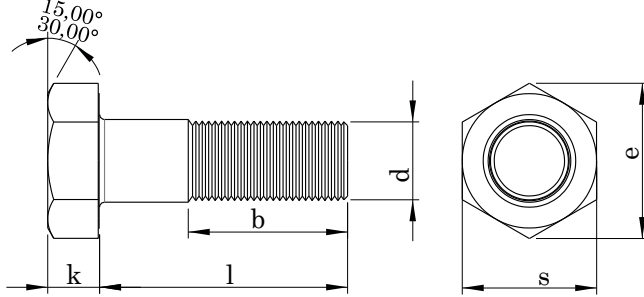
Values are given in milimeters. / Değerler milimetre olarak verilmiştir.

DIN 931 ISO 4014

ALTIKÖŞE BAŞLI YARIM DIŞ CIVATA CL:8.8 - 10.9 - 12.9

HEXAGON HEAD BOLTS

SECHSKANTSCHRAUBE MIT SCHAFT



Technical Informations / Teknik Bilgiler

Thread size / Anma çapı (d)		M14	M16	M18	M20	M22		
Pitch / Diş adımı	P	2,00	2,00	2,50	2,50	2,50		
Head height / Kafa yüksekliği k	A	Normal size max.	8,80	10,00	11,50	12,50	14,00	
		min.	8,62	9,82	11,28	12,28	13,78	
	B	max.	8,98	10,18	11,72	12,72	14,22	
		min.		9,71	11,15	12,15	13,65	
	max.		10,29	11,85	12,85	14,35		
	Normal size max.	22,00	24,00	27,00	30,00	32,00		
Head width / Anahtar ağızı	Product Grade	s min.	A	21,67	23,67	26,67	29,67	31,61
			B		23,16	26,16	29,16	31,00
Diagonal / Köşegen e	Product Grade	min.	A	24,49	26,75	30,14	33,53	35,72
			B		26,17	29,56	32,95	35,03
			b ¹	34,00	38,00	42,00	46,00	50,00
Thread length / Diş uzunluğu		b ²		40,00	44,00	48,00	52,00	56,00
			b ³	53,00	57,00	63,00	65,00	69,00

Thread size / Anma çapı (d)	Product Grade				M14	M16	M18	M20	M22
	A		B						
Length/ Boy	min.	max.	min.	max.	Weight / Ağırlık gr/p				
12	11,65	12,35							
14	13,65	14,35							
16	15,65	16,35							
18	17,65	18,35							
20	19,58	20,42							
22	21,58	22,42							
25	24,58	25,42							
28	27,58	28,42							
30	29,58	30,42							
35	34,50	35,50							
40	39,50	40,50							
45	44,50	45,50				99,00			
50	49,50	50,50			82,00	107,00			

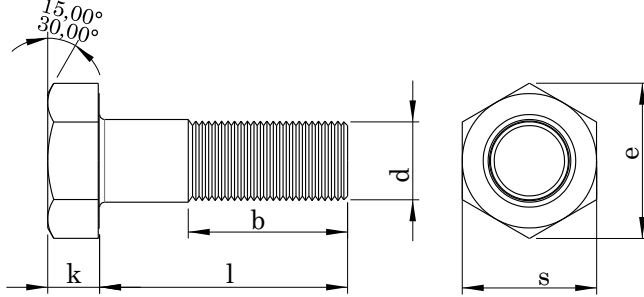
Values are given in millimeters. / Değerler milimetre olarak verilmiştir.

DIN 931 ISO 4014

ALTIKÖŞE BAŞLI YARIM DİŞ CIVATA CL:8.8 - 10.9 - 12.9

HEXAGON HEAD BOLTS

SECHSKANTSCHRAUBE MIT SCHAFT



Technical Informations / Teknik Bilgiler

Thread size / Anma çapı (d)	Product Grade				M14	M16	M18	M20	M22
	A		B						
Length / Boy	min.	max.	min.	max.	Weight / Ağırlık gr/p				
55	54,40	55,60			88,10	115,00	151,00		
60	59,40	60,60			94,10	123,00	161,00	207,00	
65	64,40	65,60			98,80	131,00	171,00	219,00	
70	69,40	70,60			105,00	139,00	181,00	231,00	281,00
75	74,40	75,60			111,00	147,00	191,00	243,00	296,00
80	79,40	80,60			117,00	155,00	200,00	255,00	311,00
85	84,30	85,70			123,00	163,00	210,00	267,00	326,00
90	89,30	90,70			127,00	171,00	220,00	279,00	341,00
95	94,30	95,70			133,00	179,00	230,00	291,00	356,00
100	99,30	100,70			139,00	186,00	240,00	303,00	370,00
110	109,30	110,70			151,00	202,00	260,00	327,00	400,00
120	119,30	120,70			164,00	218,00	280,00	351,00	430,00
130	129,20	130,80			174,00	230,00	296,00	374,00	450,00
140	139,20	140,80			185,00	246,00	316,00	398,00	480,00
150	149,20	150,80				262,00	336,00	422,00	510,00
160	159,20	160,80	158,00	162,00	278,00	356,00	446,00	540,00	
170	169,20	170,80	168,00	172,00	294,00	376,00	470,00	570,00	
180	179,20	180,80	178,00	182,00	310,00	396,00	494,00	600,00	
190	189,10	190,90	187,70	192,30	326,00	415,00	519,00	630,00	
200	199,10	200,90	197,70	202,30	342,00	435,00	544,00	660,00	
220			217,70	222,30					720,00
240			237,70	242,30					
260			257,40	262,60					
280			277,40	282,60					
300			297,40	302,60					

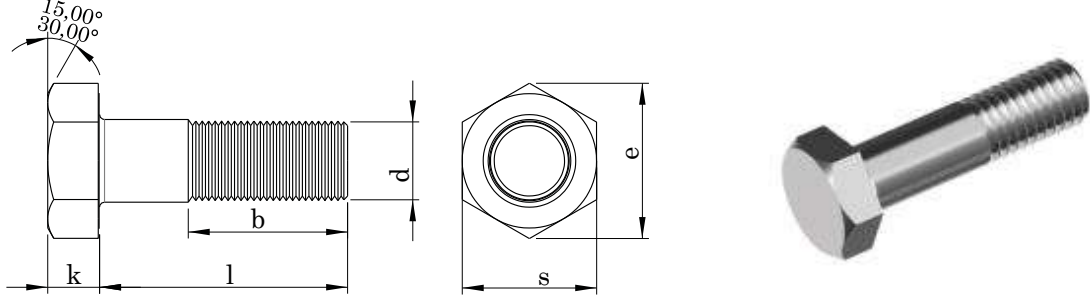
Values are given in millimeters. / Değerler milimetre olarak verilmiştir.

DIN 931 ISO 4014

ALTIKÖŞE BAŞLI YARIM DİŞ CIVATA CL:8.8 - 10.9 - 12.9

HEXAGON HEAD BOLTS

SECHSKANTSCHRAUBE MIT SCHAFT

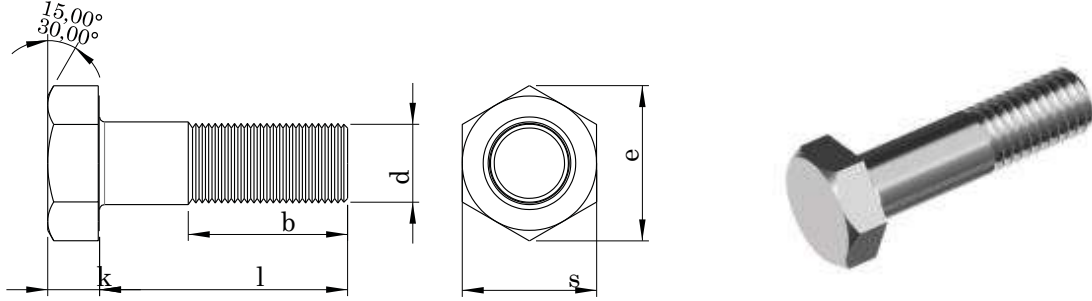


Technical Informations / Teknik Bilgiler

Thread size / Anma çapı (d)			M24	M27	M30	M33	M36	M39
Pitch / Diş adımı	P		3,00	3,00	3,50	3,50	4,00	4,00
Nominal size			15,00	17,00	18,70	21,00	22,50	25,00
Head height / Kafa yüksekliği k	A	min.	14,78					
		max.	15,22					
	B	min.	14,65	16,65	18,28	20,58	22,08	24,58
		max.	15,35	17,35	19,12	21,42	22,92	25,42
Head with / Anahtar ağı	Product Grade	Nominal size	36,00	41,00	46,00	50,00	55,00	60,00
		s	35,38					
Diagonal / Köşegen e	Product Grade	min.	35,00	40,00	45,00	49,00	53,80	58,80
			39,98					
		min.	39,55	45,20	50,85	55,37	60,79	66,44
			54,00	60,00	66,00	72,00	78,00	84,00
Thread length / Diş uzunluğu		b ¹	60,00	66,00	72,00	78,00	84,00	90,00
		b ²	60,00	66,00	72,00	78,00	84,00	90,00
		.3	73,00	79,00	85,00	91,00	97,00	103,00

Thread size / Anma çapı (d)	Product Grade		M24	M27	M30	M33	M36	M39
	A	B						
Length / Boy	min.	max.	Weight / Ağırlık gr/p					
40	39,50	40,50						
45	44,50	45,50						
50	49,50	50,50						
55	54,40	55,60						
60	59,40	60,60						
65	64,40	65,60						
70	69,40	70,60						
75	74,40	75,60						
80	79,40	80,60	392,0					
85	84,30	85,70	410,0					
90	89,30	90,70	428,0	557,0	712,0			
95	94,30	95,70	446,0	580,0	739,0			

Values are given in millimeters. / Değerler milimetre olarak verilmiştir.

DIN 931 ISO 4014**ALTİKÖŞE BAŞLI YARIM DİŞ CIVATA CL:8.8 - 10.9 - 12.9****HEXAGON HEAD BOLTS****SECHSKANTSCHRAUBE MIT SCHAFT****Technical Informations / Teknik Bilgiler**

Thread size / Anma çapı (d)	Product Grade				M24	M27	M30	M33	M36	M39
	A		B							
Length / Boy	min.	max.	min.	max.	Weight / Ağırlık gr/p					
100	99,30	100,70			464,0	603,0	767,0	951,0		
110	109,30	110,70			500,0	650,0	823,0	1020,0	1240,0	
120	119,30	120,70			535,0	695,0	880,0	1090,0	1320,0	1510,0
130	129,20	130,80			560,0	720,0	920,0	1150,0	1390,0	1580,0
140	139,20	140,80			595,0	765,0	975,0	1220,0	1470,0	1660,0
150	149,20	150,80			630,0	810,0	1030,0	1290,0	1550,0	1740,0
160	159,20	160,80	158,00	162,00	665,0	855,0	1085,0	1350,0	1630,0	1830,0
170	169,20	170,80	168,00	172,00	700,0	900,0	1140,0	1410,0	1710,0	1920,0
180	179,20	180,80	178,00	182,00	735,0	945,0	1200,0	1480,0	1790,0	2010,0
190	189,10	190,90	187,70	192,30	770,0	990,0	1250,0	1540,0	1870,0	2100,0
200	199,10	200,90	197,70	202,30	805,0	1030,0	1310,0	1610,0	1950,0	2200,0
220			217,70	222,30	870,0	1130,0	1420,0	1750,0	2110,0	2410,0
240			237,70	242,30	935,0	1220,0	1530,0	1880,0	2270,0	2600,0
260			257,40	262,60		1310,0	1640,0	2020,0	2430,0	2800,0
280			277,40	282,60			1750,0	2150,0	2590,0	3010,0
300			297,40	302,60			1860,0	2290,0	2750,0	3210,0

Values are given in millimeters. / Değerler milimetre olarak verilmiştir.